



ET 338

Elite Tweeter, Ø 110mm, 8Ω

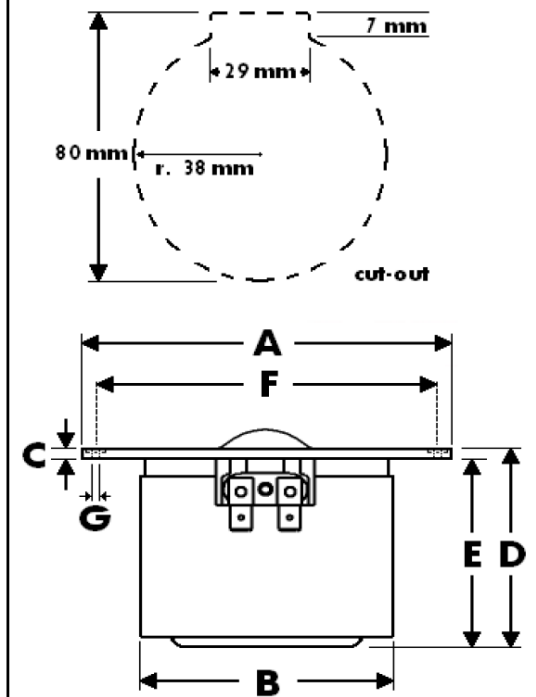


Features:

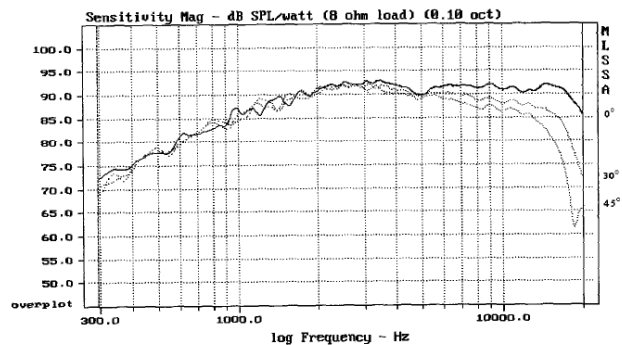
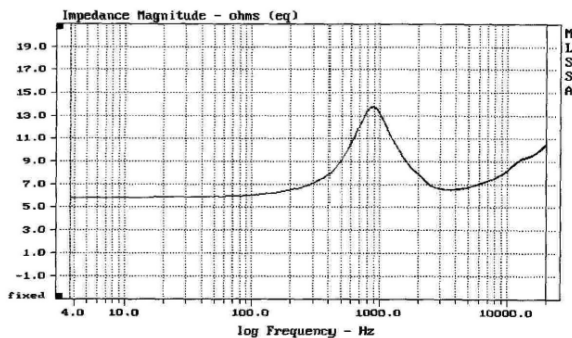
- * 110mm IDR™ Improved Dispersion Recess aluminum face plate
- * Large Hexatech™ aluminum voice coil
- * Replaceable Acuflex™ dome / coil assembly
- * Triple magnet system
- * High power handling
- * Sturdy gold plated input tags

SPECIFICATIONS

General Data		
Overall Dimensions	DxH	110mm(4.33")x66mm(2.59")
Nominal Power Handling (DIN)	P	200W
Transient Power 10ms		1000W
Sensitivity 2.83V/1M		92.5dB SPL
Frequency Response		See graph
Dome Material		Acuflex™ hand coated soft dome
Net Weight	Kg	1.08
Electrical Data		
Nominal Impedance	Z	8Ω
DC Resistance	Re	5.2Ω
Voice Coil Inductance @ 1KHz	LBM	0.09mH
Voice Coil and Magnet Parameters		
Voice Coil Diameter	DIA	28mm
Voice Coil Height		2.7mm
HE Magnetic Gap Height	HE	2.5mm
Max. Linear Excursion	X	
Voice Coil Former		Aluminum
Voice Coil Wire		Hexatech™ Aluminum
Number Of Layers		2
Magnet System Type		Triple Ferrite
B Flux Density	B	1.95 T
BL Product	BXL	6.3 N.A
T-S Parameters		
Suspension Compliance	Cms	
Mechanical Q Factor	Qms	
Electrical Q Factor	Qes	
Total Q Factor	Qts	
Mechanical Resistance	Rms	
Moving Mass	Mms	0.44 g
Eq. Cas Air Load (liters)	VAS	
Resonant Frequency	Fs	700 Hz 10%
Effective Piston Area	SD	6.0 cm ²



- A** - Overall diameter 110mm
- B** - Magnet/Chamber diameter 76mm
- C** - Flange thickness 3mm
- D** - Overall height 66mm
- E** - Magnet/Chamber depth 63mm
- F** - Mounting holes location diameter 100mm
- G** - 6 Mounting holes, at 60° interval, inner hole diameter Ø 3.7mm, pocket h 1mm, Ø 7mm



Measured on IEC baffle using Bruel & Kjaer 3144 model microphone. Also available in silver faceplate finish.

Morel operate policy of continuous product design improvement, consequently specifications are subject to alteration without prior notice.